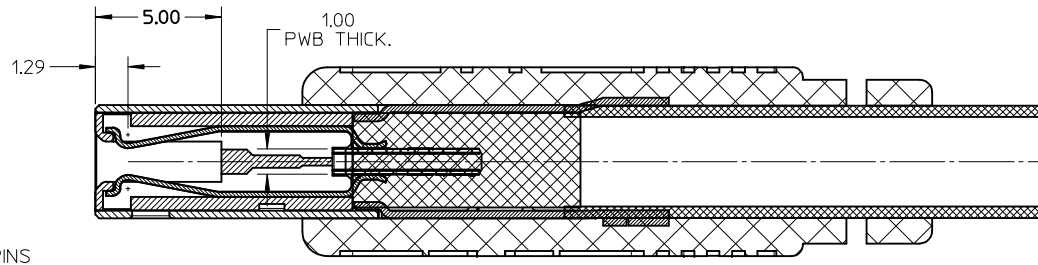
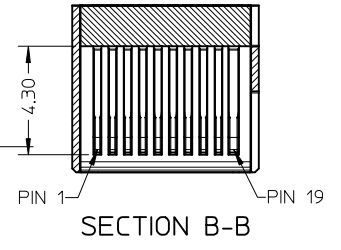


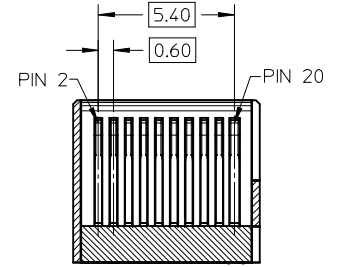
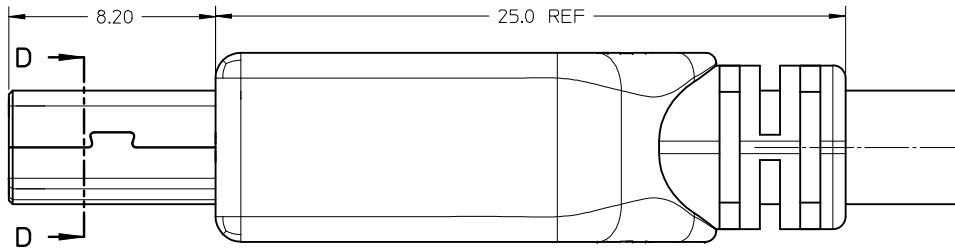
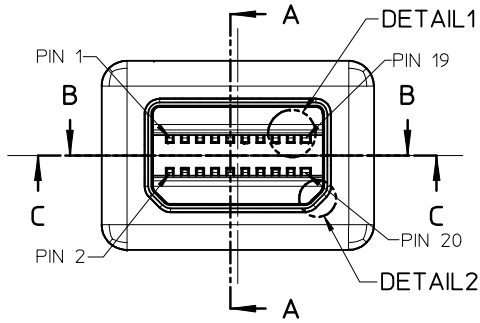
DETAIL1  
SIGNAL PINS POWER AND RETURN PINS



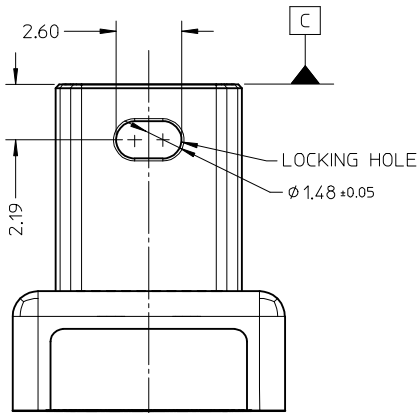
SECTION A-A



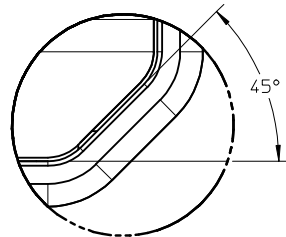
SECTION B-B



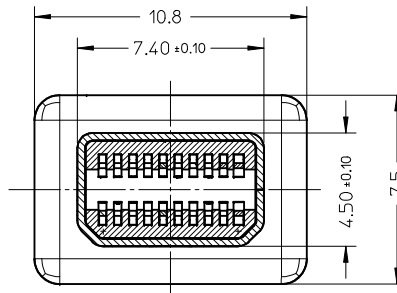
SECTION C-C



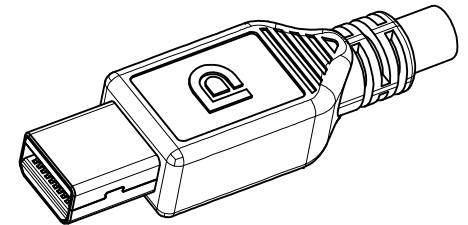
BOTTOM VIEW



DETAIL2



SECTION D-D

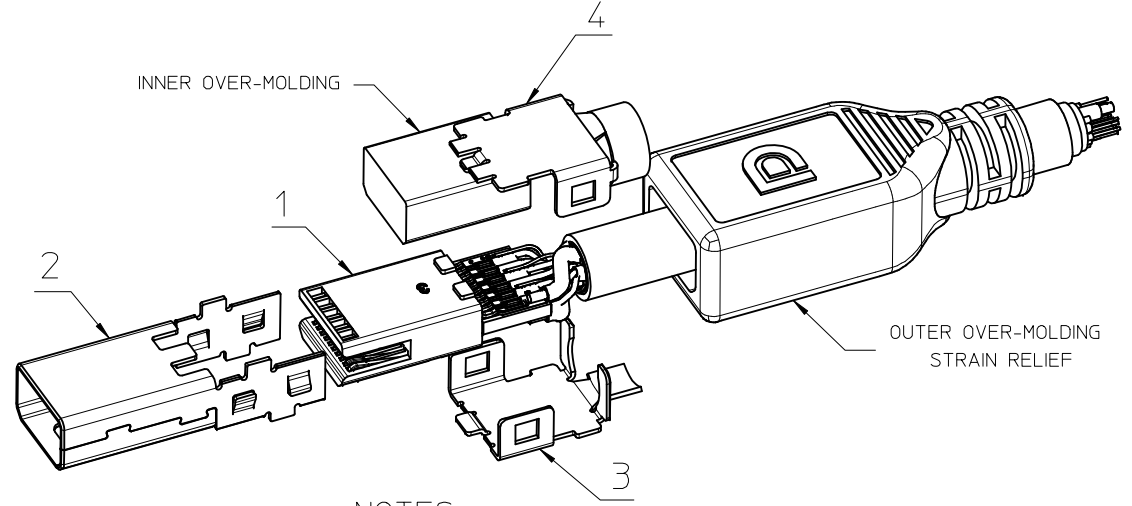


|   |  |   |  |   |  |   |                  |  |
|---|--|---|--|---|--|---|------------------|--|
| <b>NEW PRODUCT</b><br>EC NO: SHZ010-0088<br>DRW:KWEI 2009/09/14<br>CHK:DZHANG 2009/09/14<br>APPR:XJSONG 2009/09/14<br>REV B | QUALITY SYMBOLS<br>▽=0<br>◻=0                        | GENERAL TOLERANCES (UNLESS SPECIFIED)<br>mm INCH<br>4 PLACES ± --- ± ---<br>3 PLACES ± --- ± ---<br>2 PLACES ± 0.25 ± ---<br>1 PLACE ± 0.30 ± ---<br>ANGULAR ± -- ° | DIMENSION STYLE<br><b>MM ONLY</b><br>DRAWN BY: KLAUS WEI<br>CHECKED BY: ROST ZHANG<br>APPROVED BY: HARVEY WANG<br>MATERIAL NO. | DATE: 2008/03/31<br>DATE: 2008/03/31<br>DATE: 2008/03/31  | SCALE: 5:1<br>DESIGN UNITS: METRIC<br>THIRD ANGLE PROJECTION | TITLE: MINI DISPLAY PORT PLUG<br>MOLEX INCORPORATED<br>DOCUMENT NO. SD-105061-200 | SHEET NO. 1 OF 7 |  |
|   | DRAFT WHERE APPLICABLE MUST REMAIN WITHIN DIMENSIONS |   | SEE SHEET 2  | THIS DRAWING CONTAINS INFORMATION THAT IS PROPRIETARY TO MOLEX INCORPORATED AND SHOULD NOT BE USED WITHOUT WRITTEN PERMISSION |  |   |                  |  |
|   |  |   | SIZE: A3   |   |  |   |                  |  |
|   |  |   |  |   |  |   |                  |  |

| TOP ROW    |             |              | BOTTOM ROW |             |                 |
|------------|-------------|--------------|------------|-------------|-----------------|
| PIN NUMBER | SIGNAL TYPE | PIN NAME     | PIN NUMBER | SIGNAL TYPE | PIN NAME        |
| 1          | GND         | GND          | 2          | IN          | HOT PLUG DETECT |
| 3          | OUT         | ML_LANE 0(p) | 4          | CONFIG      | CONFIG 1        |
| 5          | OUT         | ML_LANE 0(n) | 6          | CONFIG      | CONFIG 2        |
| 7          | GND         | GND          | 8          | GND         | GND             |
| 9          | OUT         | ML_LANE 1(p) | 10         | OUT         | ML_LANE 3(p)    |
| 11         | OUT         | ML_LANE 1(n) | 12         | OUT         | ML_LANE 3(n)    |
| 13         | GND         | GND          | 14         | GND         | GND             |
| 15         | OUT         | ML_LANE 2(p) | 16         | I/O         | AUX_CH(p)       |
| 17         | OUT         | ML_LANE 2(n) | 18         | I/O         | AUX_CH(n)       |
| 19         | RTN         | RETURN       | 20         | POWER OUT   | DP_PWR          |

| ITEM | PART NAME    | PART NUMBER | QTY'S |
|------|--------------|-------------|-------|
| 1    | SUB-ASSEMBLY | WHITE       | 1     |
|      |              | BLACK       |       |
| 2    | MAIN-SHELL   | 105061-0005 | 1     |
| 3    | BOTTOM SHELL | 105061-0006 | 1     |
| 4    | TOP-SHELL    | 105061-0007 | 1     |

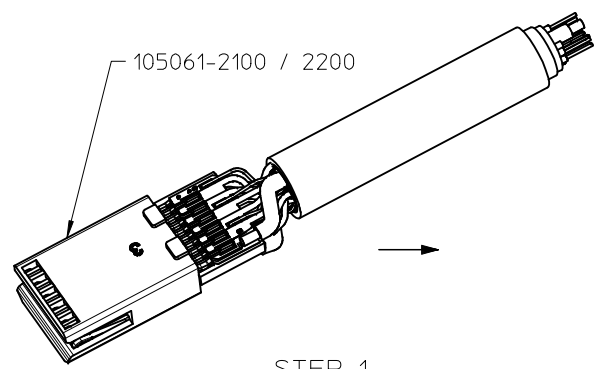
- NOTES:
- MATERIAL:
    - 1.1. PLASTIC: HIGH TEMPERATURE THERMOPLASTICS.
    - 1.2. TERMINAL: PHOSPHOR BRONZE.
    - 1.3. SHIELD SHELL: COPPER ALLOY.
    - 1.4. OTHER SHELL: COPPER ALLOY.
  - PLATING:
    - 2.1. TERMINAL:
      - 2.1.1. UNDERPLATING: NICKEL 1.30 MICROMETER MIN.
      - 2.1.2. CONTACT AREA: GOLD 0.76 MICROMETER MIN.
      - 2.1.3. SOLDER AREA: GOLD FLASH.
    - 2.2. METAL SHELL: NICKEL 1.30 MICROMETER MIN.
  - MECHANICAL PROPERTIES:
    - 3.1. TERMINAL RETENTION FORCE: 0.5 Kgf MIN.
    - 3.2. MATING FORCE: 4.0 Kgf MAX.
    - 3.3. NORMAL FORCE: 25gf MIN.
    - 3.4. DURABILITY: 1500 CYCLES.
  - ELECTRICAL PROPERTIES:
    - 4.1. APPLIED VOLTAGE RATING: 30V AC (RMS)
    - 4.2. CONTACT CURRENT RATING: 0.5 Amp
    - 4.3. DIELECTRIC WITHSTANDING: 200V AC MIN.
    - 4.4. INSULATION RESISTANCE: 100 Megaohm MIN.
  - ENVIRONMENTAL PROPERTIES:
    - 5.1. OPERATING TEMPERATURE: -20°C TO 85°C.
    - 5.2. BE APPLICABLE TO HANDWORK SOLDER & IR-REFLOW PROCESS
  - THIS PRODUCT COMPLIANT TO RoHS DIRECTIVE 2002/95/EC, AND ELV DIRECTIVE 2000/53/EC.



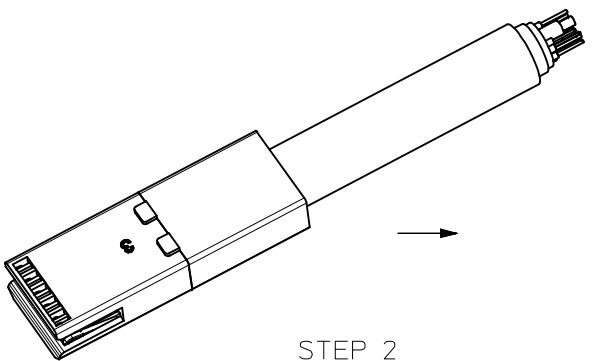
NOTES:  
OVER-MOLDING ONLY FOR REFERENCE

|   |                         |                                       |   |                                   |                    |  |                        |                     |  |
|---|-------------------------|---------------------------------------|---|-----------------------------------|--------------------|--|------------------------|---------------------|--|
| <b>NEW PRODUCT</b><br>EC NO: SH2010-0088<br>DRW:KWEI 2009/09/14<br>CHK:RZHANG 2009/09/14<br>APPR:XJ.SONG 2009/09/21 | QUALITY SYMBOLS<br><br> | GENERAL TOLERANCES (UNLESS SPECIFIED) |   | DIMENSION STYLE<br><b>MM ONLY</b> | SCALE<br>N/A       | DESIGN UNITS<br>METRIC                 | THIRD ANGLE PROJECTION |                     |  |
|   |                         | 4 PLACES ± --- ± ---                  | 3 PLACES ± --- ± ---  | DRAWN BY<br>KLAUS WEI             | DATE<br>2008/03/31 | TITLE<br><b>MINI DISPLAY PORT PLUG</b> |                        |                     |  |
|   |                         | 2 PLACES ± --- ± ---                  | 1 PLACE ± --- ± ---   | CHECKED BY<br>ROST ZHANG          | DATE<br>2008/03/31 | MOLEX INCORPORATED                     |                        |                     |  |
|   |                         | ANGULAR ± ---°                        |   | APPROVED BY<br>HARVEY WANG        | DATE<br>2008/03/31 | DOCUMENT NO.<br>SD-105061-200          |                        | SHEET NO.<br>2 OF 7 |  |
| DRAFT WHERE APPLICABLE MUST REMAIN WITHIN DIMENSIONS  |                         | SIZE<br><b>A3</b>                     | THIS DRAWING CONTAINS INFORMATION THAT IS PROPRIETARY TO MOLEX INCORPORATED AND SHOULD NOT BE USED WITHOUT WRITTEN PERMISSION |                                   |                    |  |                        |                     |  |

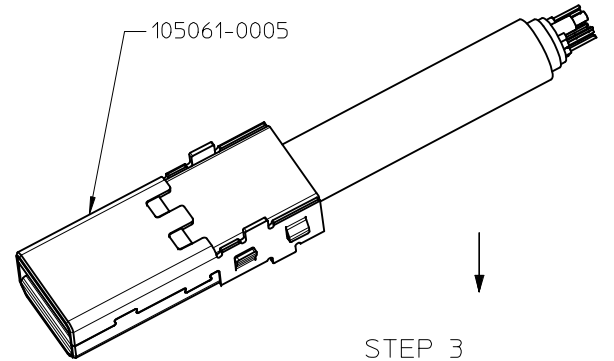
### ASSEMBLY PROCEDURE



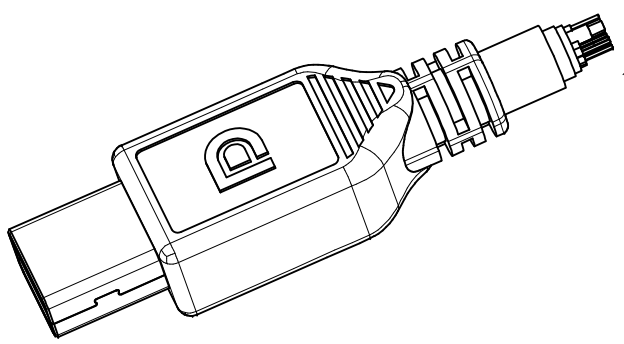
STEP 1  
SOLDER WIRE



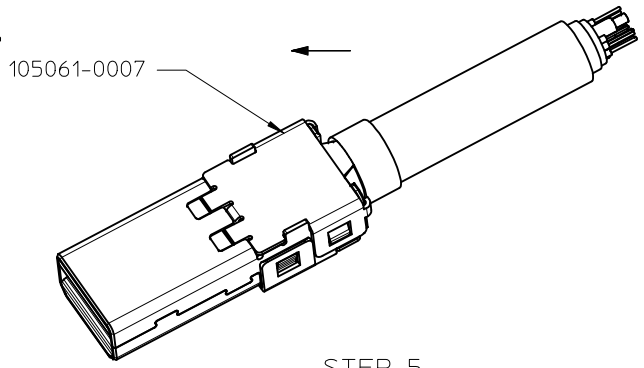
STEP 2  
INNER OVER-MOLDING



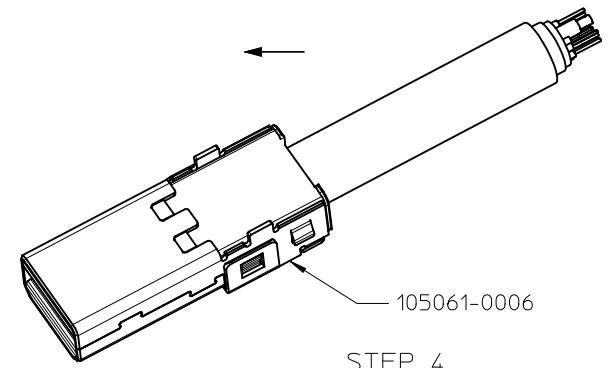
STEP 3  
ASSEMBLE MAIN SHELL



STEP 6  
OUTER OVER-MOLDING

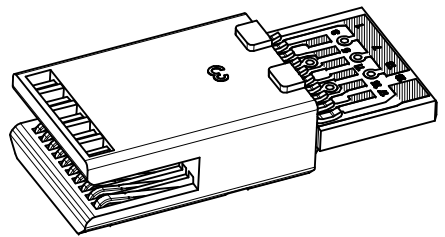
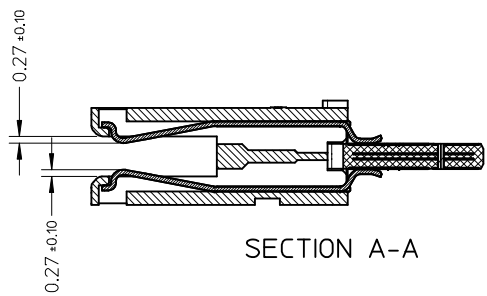
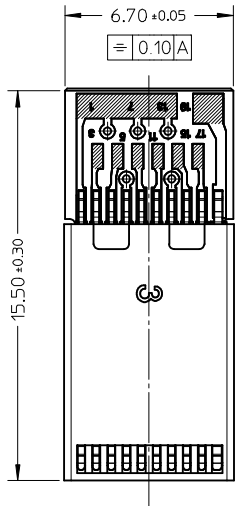


STEP 5  
ASSEMBLE TOP SHELL AND CRIMPING

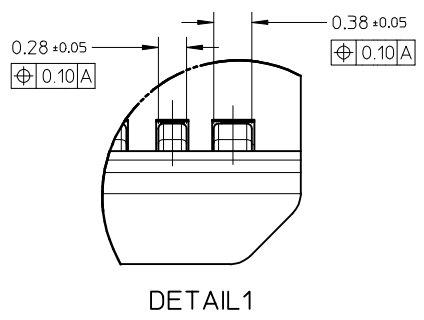
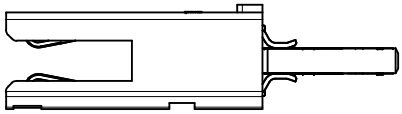
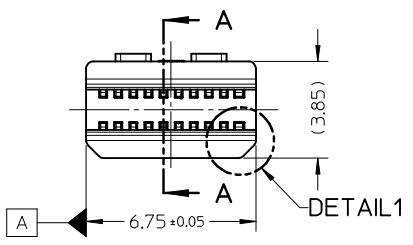


STEP 4  
ASSEMBLE BOTTOM SHELL

| <b>NEW PRODUCT</b><br>IEC NO: SH2010-0088<br>DRW:KWCWEI 2009/09/14<br>CH:KDRZHANG 2009/09/14<br>APPR:XJ.SONG 2009/09/21<br>REV B | QUALITY SYMBOLS<br>▽=0<br>◻=0 | GENERAL TOLERANCES (UNLESS SPECIFIED)<br><table border="1"> <thead> <tr> <th></th> <th>mm</th> <th>INCH</th> </tr> </thead> <tbody> <tr> <td>4 PLACES</td> <td>±---</td> <td>±---</td> </tr> <tr> <td>3 PLACES</td> <td>±---</td> <td>±---</td> </tr> <tr> <td>2 PLACES</td> <td>±---</td> <td>±---</td> </tr> <tr> <td>1 PLACE</td> <td>±---</td> <td>±---</td> </tr> <tr> <td colspan="3">ANGULAR ±---°</td> </tr> </tbody> </table> |                                      | mm                  | INCH | 4 PLACES | ±--- | ±--- | 3 PLACES | ±--- | ±--- | 2 PLACES | ±--- | ±--- | 1 PLACE | ±--- | ±--- | ANGULAR ±---° |  |  | DIMENSION STYLE<br><b>MM ONLY</b> | SCALE<br>N/A | DESIGN UNITS<br>METRIC | THIRD ANGLE PROJECTION |
|--|-------------------------------|--|--------------------------------------|---------------------|------|----------|------|------|----------|------|------|----------|------|------|---------|------|------|---------------|--|--|-----------------------------------|--------------|------------------------|------------------------|
|  |                               | mm   | INCH                                 |                     |      |          |      |      |          |      |      |          |      |      |         |      |      |               |  |  |                                   |              |                        |                        |
|  | 4 PLACES                      | ±---   | ±---                                 |                     |      |          |      |      |          |      |      |          |      |      |         |      |      |               |  |  |                                   |              |                        |                        |
|  | 3 PLACES                      | ±---   | ±---                                 |                     |      |          |      |      |          |      |      |          |      |      |         |      |      |               |  |  |                                   |              |                        |                        |
| 2 PLACES   | ±---                          | ±---   |                                      |                     |      |          |      |      |          |      |      |          |      |      |         |      |      |               |  |  |                                   |              |                        |                        |
| 1 PLACE  | ±---                          | ±---   |                                      |                     |      |          |      |      |          |      |      |          |      |      |         |      |      |               |  |  |                                   |              |                        |                        |
| ANGULAR ±---°  |                               |  |                                      |                     |      |          |      |      |          |      |      |          |      |      |         |      |      |               |  |  |                                   |              |                        |                        |
| DRAWN BY<br>KLAUS WEI  | DATE<br>2008/03/31            | TITLE<br><b>MINI DISPLAY PORT PLUG</b>   |                                      |                     |      |          |      |      |          |      |      |          |      |      |         |      |      |               |  |  |                                   |              |                        |                        |
| CHECKED BY<br>ROST ZHANG   | DATE<br>2008/03/31            | APPROVED BY<br>HARVEY WANG 2008/03/31  |                                      |                     |      |          |      |      |          |      |      |          |      |      |         |      |      |               |  |  |                                   |              |                        |                        |
| DRAFT WHERE APPLICABLE MUST REMAIN WITHIN DIMENSIONS   |                               | MATERIAL NO.<br><b>SEE ABOVE</b>   | DOCUMENT NO.<br><b>SD-105061-200</b> | SHEET NO.<br>3 OF 7 |      |          |      |      |          |      |      |          |      |      |         |      |      |               |  |  |                                   |              |                        |                        |



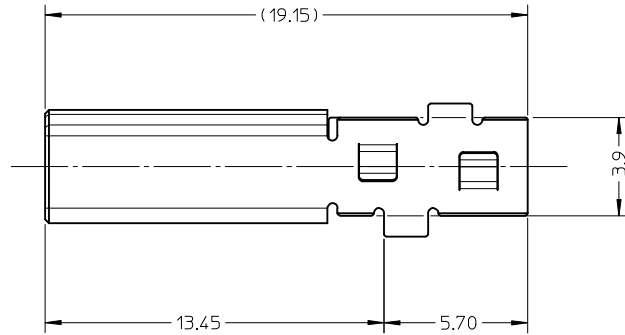
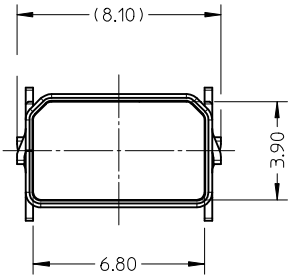
- NOTES:
- MATERIAL:  
PLASTIC: LCP ,UL94V-0 .  
METAL: COPPER OR COPPER ALLOY.
  - PACKAGING SPECIFICATION : PK-105061-001.
  - PRODUCT SPECIFICATION: PS-105061-001.



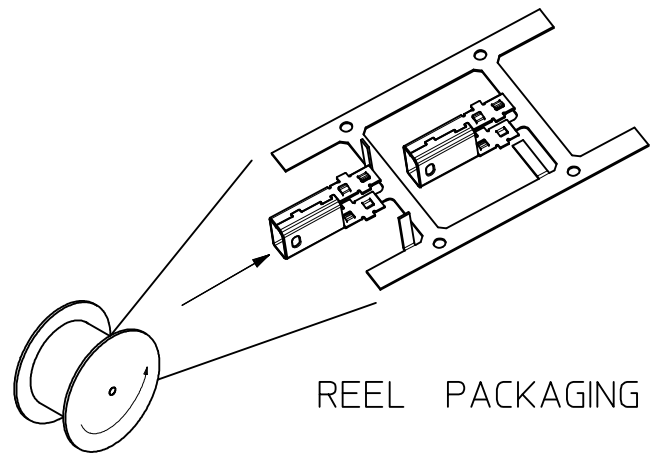
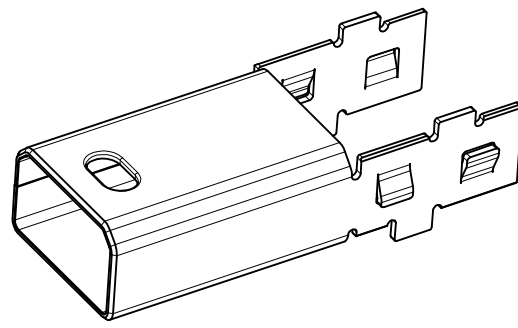
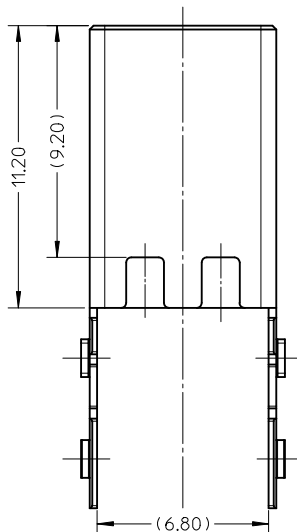
|             |            |       |
|-------------|------------|-------|
| 105061-2200 | LCP        | WHITE |
| 105061-2100 | LCP        | BLACK |
| PART NUMBER | RESIN TYPE | COLOR |

|   |  |                    |  |                                       |             |                            |   |                    |  |                        |  |  |
|---|--|--------------------|--|---------------------------------------|-------------|----------------------------|---|--------------------|--|------------------------|--|--|
| <b>NEW PRODUCT</b><br>EC NO: SH2010-0088<br>DRW:KWEI<br>CH:KDRZHANG<br>APPR:XJ.SONG | 2009/09/14<br>2009/09/14<br>2009/09/21 | DESCRIPTION<br>REV | QUALITY SYMBOLS<br>▽=0<br>◻=0                        | GENERAL TOLERANCES (UNLESS SPECIFIED) |             | DIMENSION STYLE<br>MM ONLY |   | SCALE<br>5:1       | DESIGN UNITS<br>METRIC   | THIRD ANGLE PROJECTION |  |  |
|   |  |                    |  |                                       | mm          | INCH                       | DRAWN BY<br>KLAUS WEI   | DATE<br>2008/03/31 | TITLE<br>SUB-ASSEMBLY  |                        |  |  |
|   |  |                    |  | 4 PLACES                              | ± ---       | ± ---                      | CHECKED BY<br>ROST ZHANG  | DATE<br>2008/03/31 | MOLEX INCORPORATED<br>DOCUMENT NO. SD-105061-200<br>SHEET NO. 4 OF 7 |                        |  |  |
|   |  |                    |  | 3 PLACES                              | ± ---       | ± ---                      | APPROVED BY<br>HARVEY WANG  | DATE<br>2008/03/31 |  |                        |  |  |
| 2 PLACES  | ± 0.10                                 | ± ---              | ANGULAR ± ---°                                       |                                       | 105061-2*00 |                            | THIS DRAWING CONTAINS INFORMATION THAT IS PROPRIETARY TO MOLEX INCORPORATED AND SHOULD NOT BE USED WITHOUT WRITTEN PERMISSION |                    |  |                        |  |  |
| 1 PLACE   | ± 0.15                                 | ± ---              | DRAFT WHERE APPLICABLE MUST REMAIN WITHIN DIMENSIONS |                                       | SIZE<br>A3  |                            |   |                    |  |                        |  |  |

10 9 8 7 6 5 4 3 2 1



- NOTES:
1. MATERIALS: COPPER ALLOY  
THICKNESS: 0.30±0.01mm..
  2. FINISH: NICKEL 1.30 MICROMETRE MIN.
  3. COMPLIANT TO RoHS DIRECTIVE 2002/95/EC AND ELV DIRECTIVE 2000/53/EC.
  4. PACKAGING QUANTITIES : 800 PCS PER REEL.

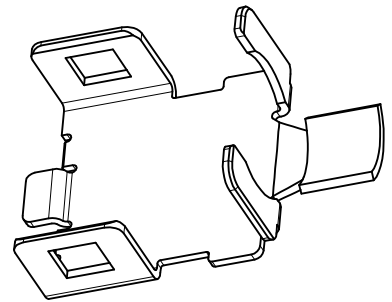
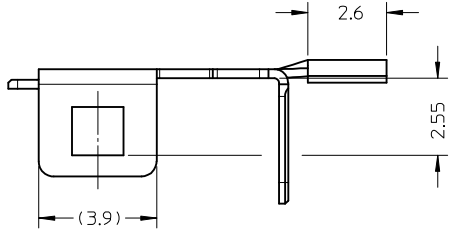


REEL PACKAGING

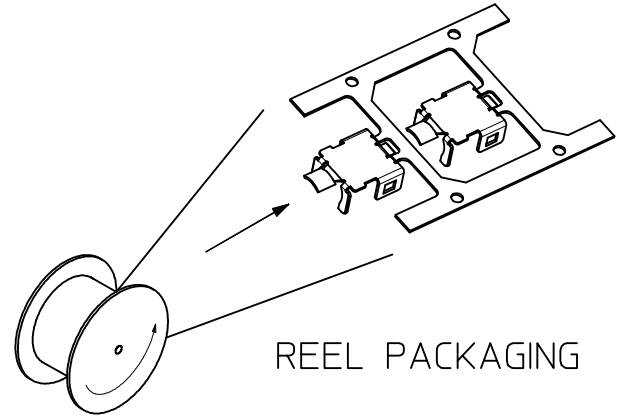
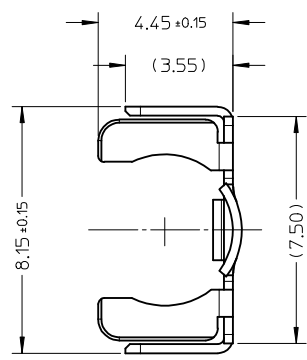
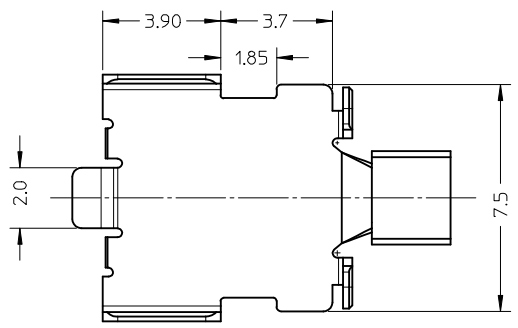
|  |                    |                             |   |   |   |   |                        |  |
|--|--------------------|-----------------------------|---|---|---|---|------------------------|--|
| <b>NEW PRODUCT</b><br>EC NO: SH2010-0088<br>DRW:KWEI 2009/09/14<br>CHKD:RZHANG 2009/09/14<br>APPR:XJ.SONG 2009/09/14 | DESCRIPTION<br>REV | QUALITY SYMBOLS             | GENERAL TOLERANCES (UNLESS SPECIFIED)   | DIMENSION STYLE   | SCALE   | DESIGN UNITS  | THIRD ANGLE PROJECTION |  |
|  |                    | $\nabla=0$<br>$\triangle=0$ | mm    INCH<br>4 PLACES ± --- ± ---<br>3 PLACES ± --- ± ---<br>2 PLACES ± 0.10 ± ---<br>1 PLACE ± 0.15 ± ---<br>ANGULAR ± ---° | MM ONLY   | 5:1   | METRIC  |                        |  |
|  |                    |                             | DRAFT WHERE APPLICABLE MUST REMAIN WITHIN DIMENSIONS  | DRAWN BY: KLAUS WEI<br>CHECKED BY: ROST ZHANG<br>APPROVED BY: HARVEY WANG<br>MATERIAL NO. 105061-0005 | DATE: 2008/03/31<br>DATE: 2008/03/31<br>DATE: 2008/03/31  | TITLE: MAIN SHELL<br>MOLEX INCORPORATED<br>DOCUMENT NO. SD-105061-200 |                        |  |
|  |                    |                             |   | SIZE: A3  | THIS DRAWING CONTAINS INFORMATION THAT IS PROPRIETARY TO MOLEX INCORPORATED AND SHOULD NOT BE USED WITHOUT WRITTEN PERMISSION |   |                        |  |

9 8 7 6 5 4 3 2 1

10 9 8 7 6 5 4 3 2 1



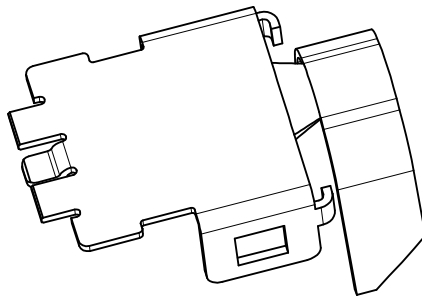
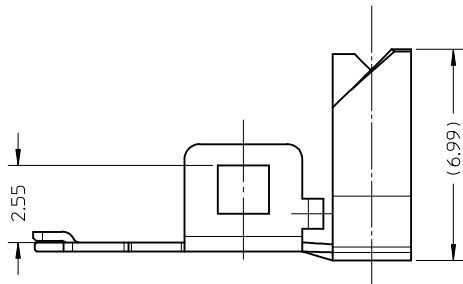
- NOTES:
1. MATERIALS: COPPER ALLOY.  
THICKNESS: 0.30±0.01mm.
  2. FINISH: NICKEL 1.30 MICROMETRE MIN.
  3. COMPLIANT TO RoHS DIRECTIVE 2002/95/EC AND ELV DIRECTIVE 2000/53/EC.
  4. PACKAGING QUANTITIES : 1500 PCS PER REEL.



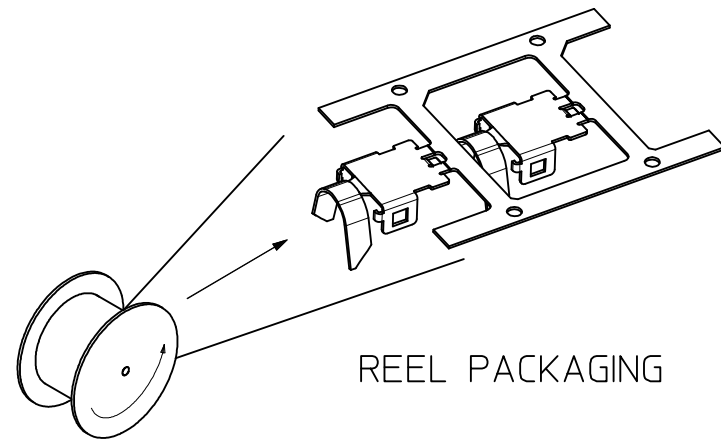
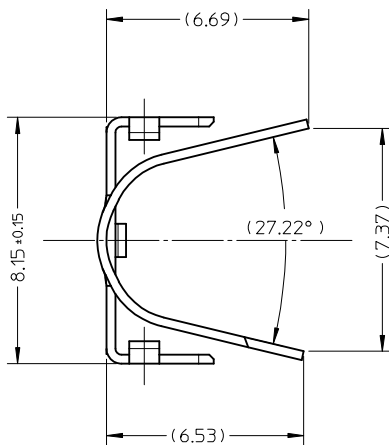
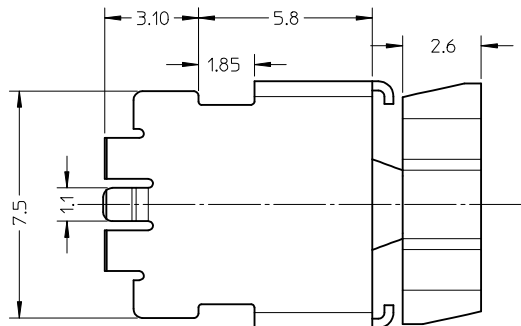
REEL PACKAGING

|  |                    |                 |                                       |   |  |                  |                          |                            |  |
|--|--------------------|-----------------|---------------------------------------|---|--|------------------|--------------------------|----------------------------|--|
| NEW PRODUCT<br>EC NO: SH2010-0088<br>DRAWN BY: DRWKKWEI<br>CHKD BY: CHYKDRZHANG<br>APPR: XJ.SONG | DESCRIPTION<br>REV | QUALITY SYMBOLS | GENERAL TOLERANCES (UNLESS SPECIFIED) |   | DIMENSION STYLE                                      | SCALE            | DESIGN UNITS             | THIRD ANGLE PROJECTION     |  |
|  |                    | ▽=0<br>⊕=0      | mm                                    | INCH  | MM ONLY  | 5:1              | METRIC                   | ⊕                          |  |
|  |                    | 4 PLACES        | ±---                                  | ±---  | DRAWN BY: KLAUS WEI                                  | DATE: 2008/03/31 | TITLE: BOTTOM SHELL      |                            |  |
|  |                    | 3 PLACES        | ±---                                  | ±---  | CHECKED BY: ROST ZHANG                               | DATE: 2008/03/31 | MOLEX INCORPORATED       |                            |  |
|  |                    | 2 PLACES        | ±0.10                                 | ±---  | APPROVED BY: HARVEY WANG                             | DATE: 2008/03/31 | MATERIAL NO. 105061-0006 | DOCUMENT NO. SD-105061-200 |  |
|  |                    | 1 PLACE         | ±0.15                                 | ±---  | DRAFT WHERE APPLICABLE MUST REMAIN WITHIN DIMENSIONS |                  |                          | SHEET NO. 6 OF 7           |  |
|  |                    | ANGULAR ±---°   |                                       | THIS DRAWING CONTAINS INFORMATION THAT IS PROPRIETARY TO MOLEX INCORPORATED AND SHOULD NOT BE USED WITHOUT WRITTEN PERMISSION |  |                  |                          |                            |  |

9 8 7 6 5 4 3 2 1



- NOTES:
1. MATERIALS: COPPER ALLOY.  
THICKNESS: 0.30±0.01mm.
  2. FINISH: NICKEL 1.30 MICROMETRE MIN.
  3. COMPLIANT TO RoHS DIRECTIVE 2002/95/EC AND ELV DIRECTIVE 2000/53/EC.
  4. PACKAGING QUANTITIES : 1500 PCS PER REEL.



|   |                    |                 |                                       |                      |   |                    |                               |                        |                        |  |
|---|--------------------|-----------------|---------------------------------------|----------------------|---|--------------------|-------------------------------|------------------------|------------------------|--|
| NEW PRODUCT<br>EC NO: SH2010-0088<br>DRW:KWEI 2009/09/14<br>CHKD:RZHANG 2009/09/14<br>APPR:XJ.SONG 2009/09/21 | DESCRIPTION<br>REV | QUALITY SYMBOLS | GENERAL TOLERANCES (UNLESS SPECIFIED) |                      | DIMENSION STYLE<br>MM ONLY  |                    | SCALE<br>5:1                  | DESIGN UNITS<br>METRIC | THIRD ANGLE PROJECTION |  |
|   |                    | ▽=0<br>Ⓢ=0      | mm                                    | INCH                 | DRAWN BY<br>KLAUS WEI   | DATE<br>2008/03/31 | TITLE<br>TOP SHELL            |                        |                        |  |
|   |                    |                 | 4 PLACES ± --- ± ---                  | 3 PLACES ± --- ± --- | CHECKED BY<br>ROST ZHANG  | DATE<br>2008/03/31 | MATERIAL NO.<br>105061-0007   |                        |                        |  |
|   |                    |                 | 2 PLACES ± 0.10 ± ---                 | 1 PLACE ± 0.15 ± --- | APPROVED BY<br>HARVEY WANG  | DATE<br>2008/03/31 | DOCUMENT NO.<br>SD-105061-200 |                        | SHEET NO.<br>7 OF 7    |  |
| DRAFT WHERE APPLICABLE MUST REMAIN WITHIN DIMENSIONS  |                    |                 | ANGULAR ± --- °                       |                      | THIS DRAWING CONTAINS INFORMATION THAT IS PROPRIETARY TO MOLEX INCORPORATED AND SHOULD NOT BE USED WITHOUT WRITTEN PERMISSION |                    |                               |                        |                        |  |