

D

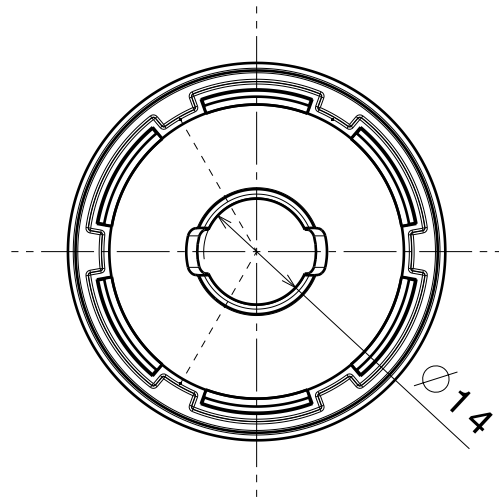
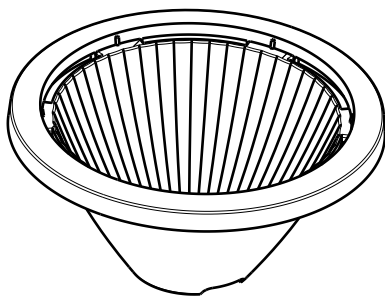
C

B

A

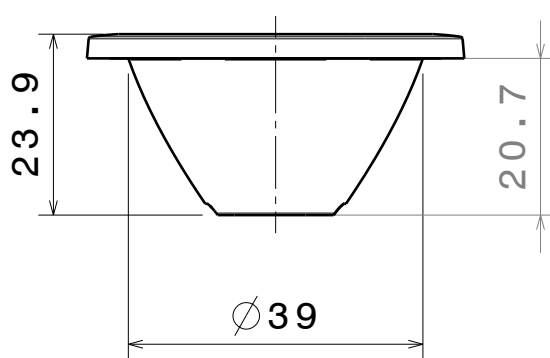
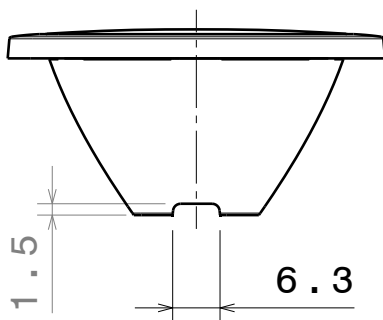
4

4



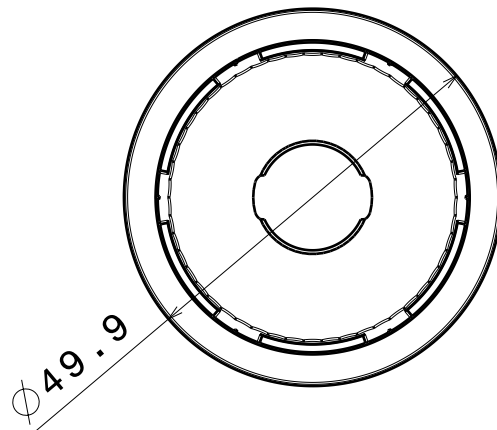
3

3



2

2



Material: PC, metal plated

This drawing is our property.  
It can't be reproduced  
or communicated without  
our written agreement.



Ledil Oy  
Salorankatu 10  
FIN-24240 SALO  
Finland

DRAWING TITLE

Datasheet Mirella reflector

DRAWN BY  
pl

DATE  
25.11.2011

CHECKED BY

DATE

SIZE  
A4

DRAWING NUMBER

REV  
1

DESIGNED BY  
pl

DATE  
25.11.2011

SCALE 1:1 WEIGHT (g)

SHEET 1/1

D

A

1

1