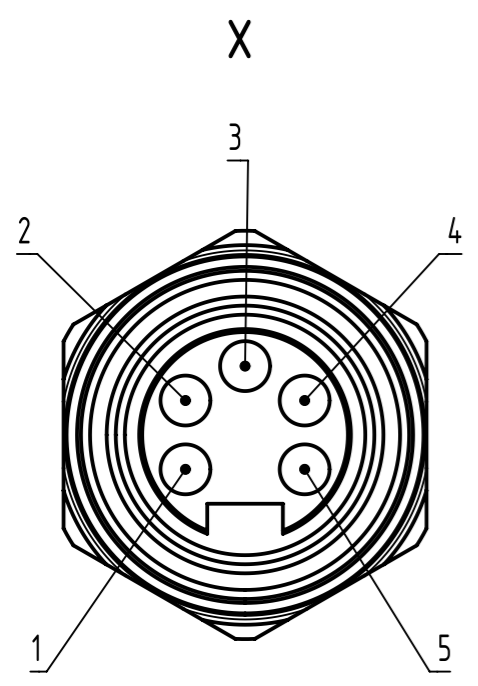
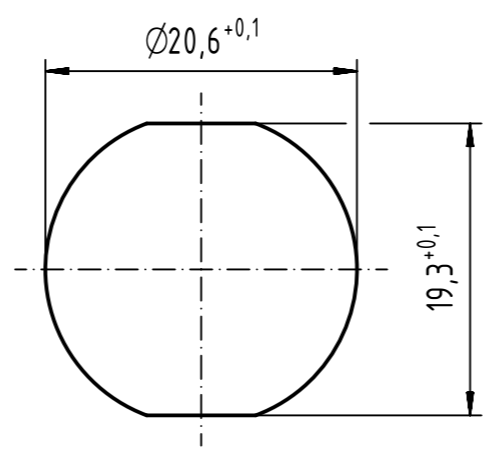


7/8" 4 pole+PE straight female PFT front mounting connector

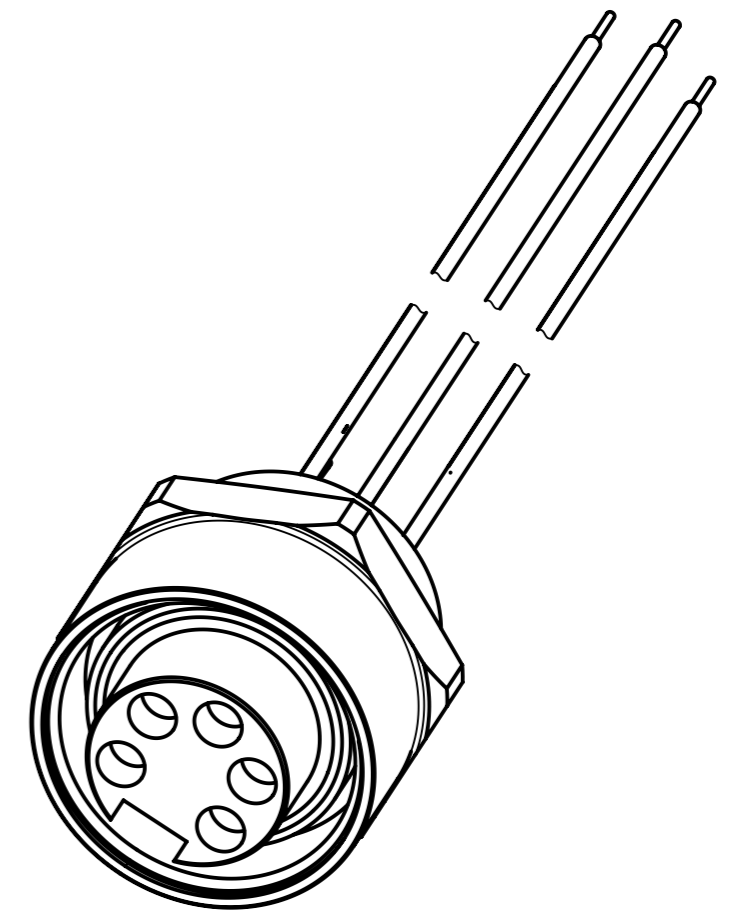


- Loading plan:
- 1 — black
  - 2 — blue
  - PE — green-yellow
  - 4 — brown
  - 5 — white

Recommended panel cut-out



Minimum wall thickness 2.5mm



- Protection level: IP67  
 - Temperature range: -30°C...+75°C

1	21043162501	AWG 18, PVC	0.5
Cont. No.	Part - no.	Type of cable	Dim. a[m]

All rights reserved Department EC PD - RO		All Dimensions in mm Original Size DIN A3	Scale 2:1 Free size tol.	Ref. Sub.
HARTING Electronics GmbH D-32339 Espelkamp	Created by TOMUTA Inspected by AVRAM	Standardisation HOFFMANN	Date 2014-08-21 State Final Release	Doc-Key / ECM-Nr. 100587940/UGD/000/A 50000079071
Title 7/8" Cable Assembly Type TB		Number 210431625XX		Rev. A Page 1/1